

LS TRACTOR

SERVICE MANUAL

MT225S



LS Mtron

LS TRACTOR

[MT225S]

SERVICE MANUAL

**Chapter 1. SAFETY & GENERAL
INFORMATION**



PREFACE

This service manual is to provide servicing personnel with information for precise and quick service for **MT225S** tractor with high-end technologies. It contains various information on the general specifications, fundamental structure and operating principle, instructions for disassembly, assembly, inspection and adjustment, and troubleshooting on each component for easier and precise service.

This tractor should be well-maintained and serviced properly for ultimate satisfaction of users. Therefore, it is necessary for servicing personnel to understand information in this manual thoroughly and keep it handy for service.

Most accidents during servicing are occurred by negligence on safety precautions and instructions. Therefore, servicing personnel should be fully aware of service procedures, methods, inspection points and safety precautions outlined in this manual for precise and safe service as well as ultimate satisfaction of customers.

As LS genuine parts are manufactured under the strict quality assurance system, only genuine parts should be used in this tractor to maintain its optimal condition. Mtron always put every effort into development and manufacture of quality products.

Also, information contained in this manual is subject to change without notice for quality and performance improvement of this tractor.

Keep this service manual in a safe and handy place. If there is any typo, wrong information or question for this manual, feel free to contact Mtron.

※ REMARKS

- This manual does not contain information for every possible accident and precautions during service. Therefore, the tractor should be serviced only by well-trained servicing personnel with care.
- Using unspecified parts, including engine oil and transmission fluid, or poor-quality fuel can damage the tractor severely.
- Information and figures in this manual should not be copied or used without prior permission by LS Mtron.

TABLE OF CONTENTS

* SAFETY AND GENERAL INFORMATION.....	I
* ENGINE.....	II
* CLUTCH & TRANSMISSION.....	III
* FRONT & REAR AXLE.....	IV
* BRAKE	V
* HYDRAULIC SYSTEM.....	VI
* ELECTRICAL SYSTEM.....	VII

This page intentionally left blank.

I SAFETY AND GENERAL INFORMATION

TABLE OF CONTENTS

1.1 SAFETY TIPS.....	1-7	1.6.4 TRAVEL SPEED.....	1-27
1.1.1 GENERAL SAFETY	1-7	1.6.5 PRECAUTIONS FOR DISASSEMBLY	
1.1.2 TO AVOID PERSONAL INJURIES	1-9	AND ASSEMBLY	1-28
1.2 DURING SERVICING	1-11	1.6.5.1 PRECAUTIONS BEFORE STARTING	
1.3 ENVIRONMENT PROTECTION.....	1-15	SERVICE.....	1-28
1.4 GENERAL NOTICES FOR SAFETY	1-16	1.6.5.2 CAUTIONS DURING ASSEMBLY	1-28
1.4.1 SAFETY PRECAUTIONS	1-16	1.6.5.3 WIRING MATING SECTION AND	
1.4.2 SAFETY SIGNS.....	1-16	SHEATH.....	1-30
1.4.3 SYMBOLS.....	1-17	1.6.5.4 TOOL	1-35
1.5 SAFETY DECALS.....	1-18	1.6.6 TORQUE SPECIFICATION TABLES	1-36
1.5.1 FOR CAUTIONS AND MAINTENANCE	1-18	1.6.6.1 STANDARD BOLT HARDWARE &	
1.5.2 MOUNTING LOCATION	1-18	HYDRAULIC CONNECTOR	
1.6 GENERAL INFORMATION.....	1-21	TORQUES, SPECIFICATIONS AND	
1.6.1 SERIAL NUMBER.....	1-21	INFORMATION	1-36
1.6.1.1 MANUFACTURE'S SERIAL NUMBER ..	1-21	1.6.6.2 UNIT CONVERSION TABLE	1-45
1.6.1.2 ENGINE NUMBER.....	1-21	1.6.7 LUBRICANTS AND OIL CAPACITY	
1.6.1.3 TRANSMISSION NUMBER	1-21	CHART.....	1-45
1.6.1.4 HOURMETER.....	1-22	1.6.7.1 CHECKING OF EACH PART.....	1-45
1.6.2 EXTERNAL DIMENSIONS	1-23	1.6.7.2 LUBRICANTS AND CAPACITY.....	1-47
1.6.3 SPECIFICATIONS.....	1-24		

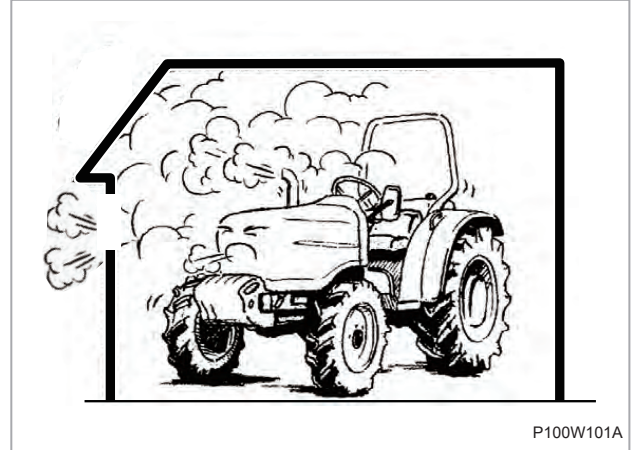
This page intentionally left blank.

1.1 SAFETY TIPS

1.1.1 GENERAL SAFETY

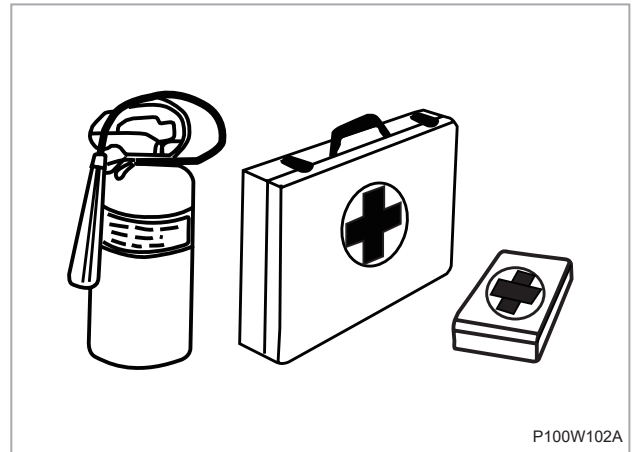
Extra attention is needed and the following safety precautions should be strictly followed in your work place for service.

1. Keep your work place and surroundings clean and well-ventilated.

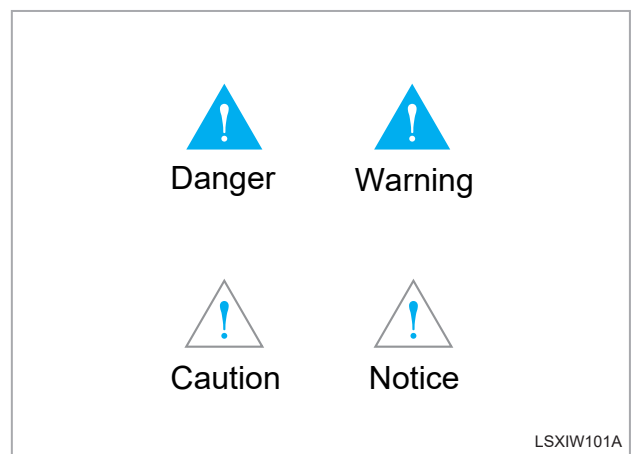


2. Keep an emergency kit and appropriate hygiene equipments handy in your workshop.

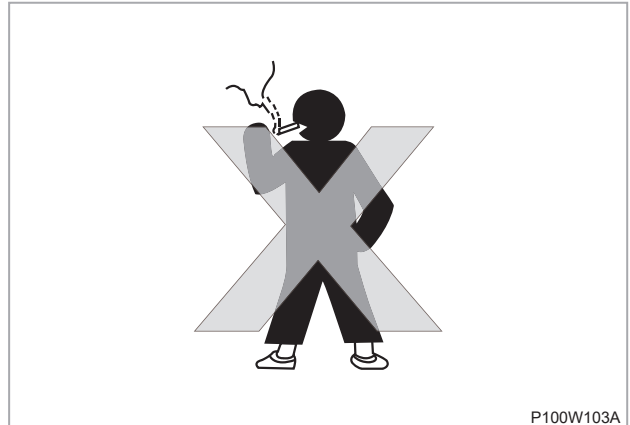
3. Keep a fire extinguisher handy in your workshop. Have your fire extinguisher checked regularly and have yourself well informed on its use.



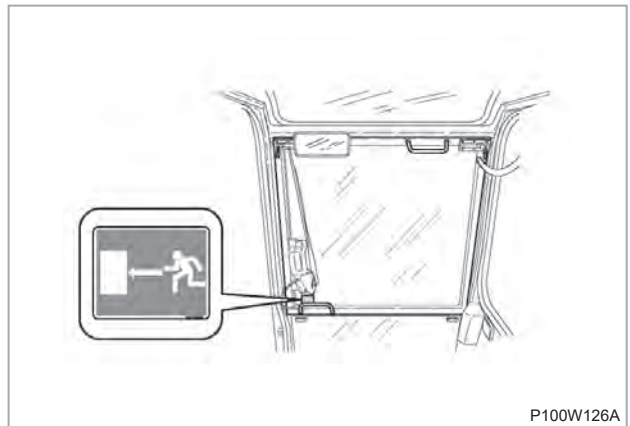
4. Mark the safety symbols and signs for clear view in emergency.



5. Never smoke in the workshop to avoid fire.



6. There should be an emergency exit and its sign for evacuation in emergency.



7. Follow helper's guidance for a special service.



1.1.2 TO AVOID PERSONAL INJURIES

1. Never wear loose fitting clothing or clothing with wide sleeves when servicing the engine or tractor. The sleeves of the shirt and the hem of the pants should be tightly fitting. Elastic banded sleeve and hem are preferred. Do not wear accessories, such as earrings or necklace.
2. Make sure to wear safety gloves and safety goggles under the following conditions:
 - When handling an antioxidant,
 - When adding or changing oil or lubricant,
 - When handling compressed air or compressed oil. (allowable pressure is 2 bar or below.)
3. When working near any lifted part or equipment or working at a level above your head, always wear a safety helmet and fix all parts and equipments firmly.
4. Always wear safety shoes and use protective cream on your hands.
5. If your clothing gets wet, change it as soon as possible.
6. Make sure that ground and electric wirings are intact where the voltage capacity is 48 ~ 60 V. Keep your hands and feet dry and stand on an insulated scaffold.
7. When working near the battery or fuel tank, never smoke and avoid sparks.
8. Put cloth with oil, diesel fuel or solvent into a separate fireproof container.

